



- Made from SS304 bars using precision machining methods..
- These spiders are offered in excellent machine as well as mirror polished finishes.
- The design of these spiders offer high on site adjustment possibilities.
- Special mounting possibilities and to add to all low cost.
- These spiders can be very easily used in applications using smaller panels on spiders.



PA-1AL



PA-1AV



PA-2AL



PA-2AV



PA-3A



PA-4A



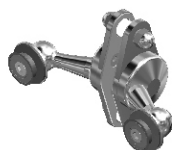
PAT-1A



PAT-2A



PAT-4A

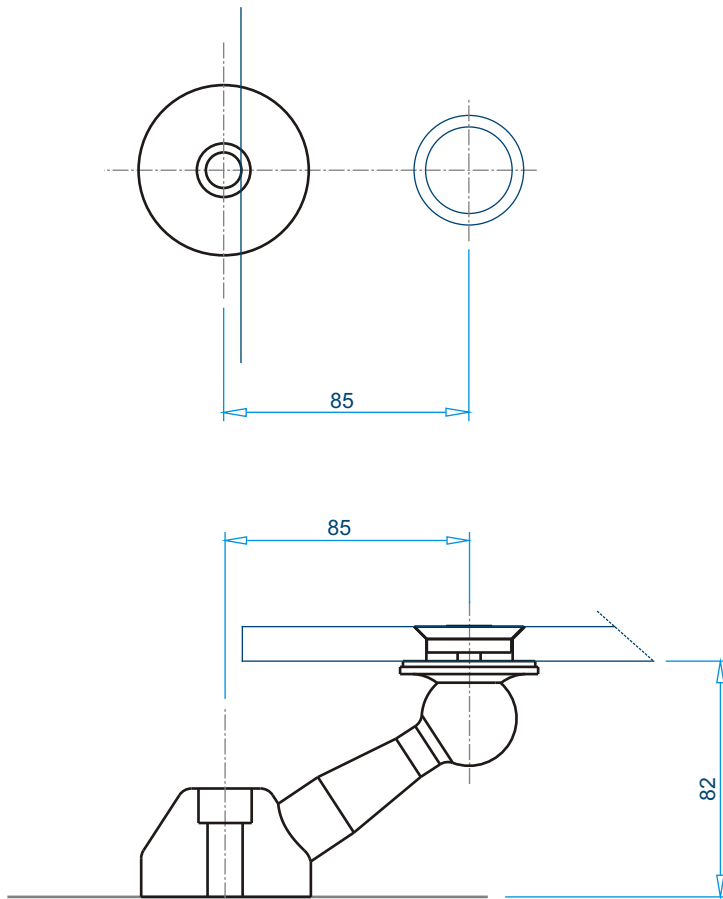


PAT-S2A

PA-1AL

Single Arm ■
SS304 ■

Ord Nr. : M19920



Accessories to be ordered separately.

Accessories



Straight Pin SS Ø8X20
Ord Nr. M26383



Allen Bolt 12X40
Ord Nr. M15697

Tools



ALLEN 5

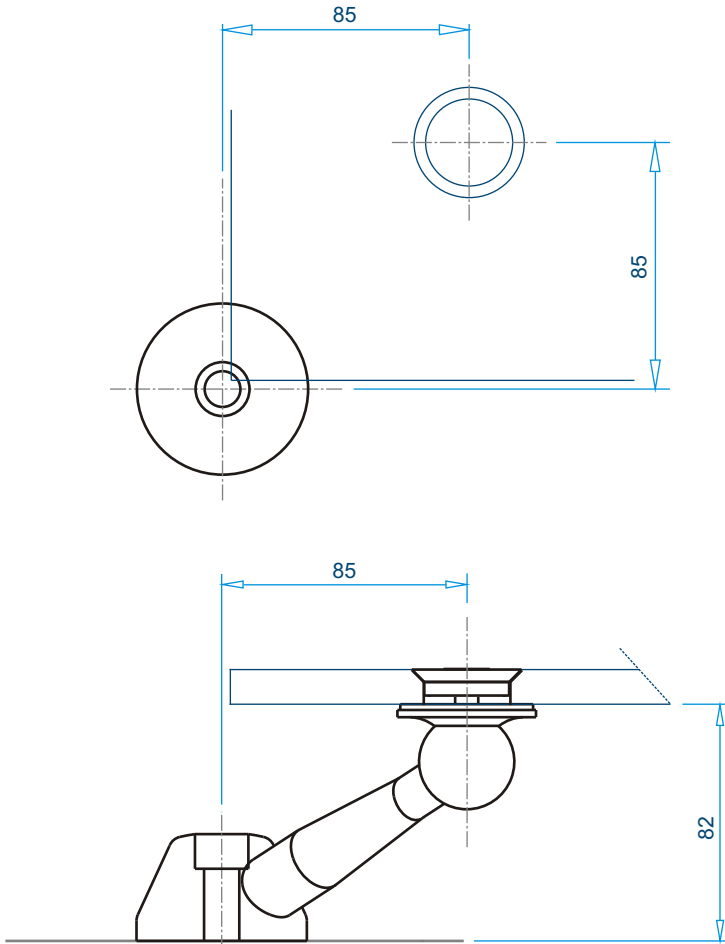


ALLEN 8

PA-1AV

Single Arm of V Length ■
SS304 ■

Ord Nr. : M19922



Accessories to be ordered separately.

Accessories



Straight Pin SS Ø8X20
Ord Nr. M26383



Allen Bolt 12X40
Ord Nr. M15697

Tools



ALLEN 5

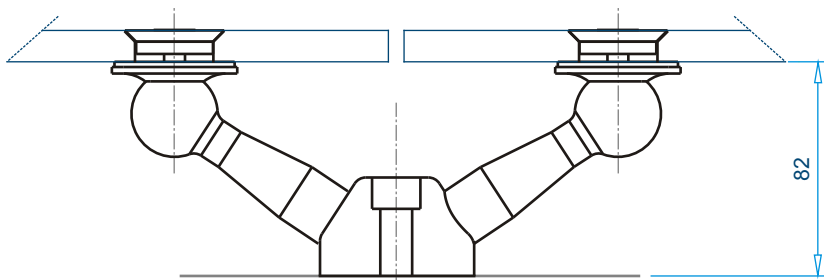
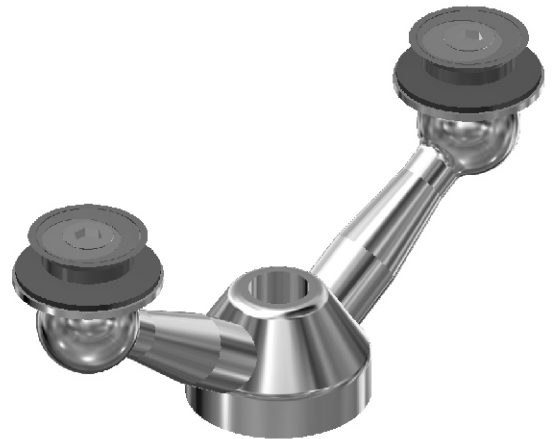
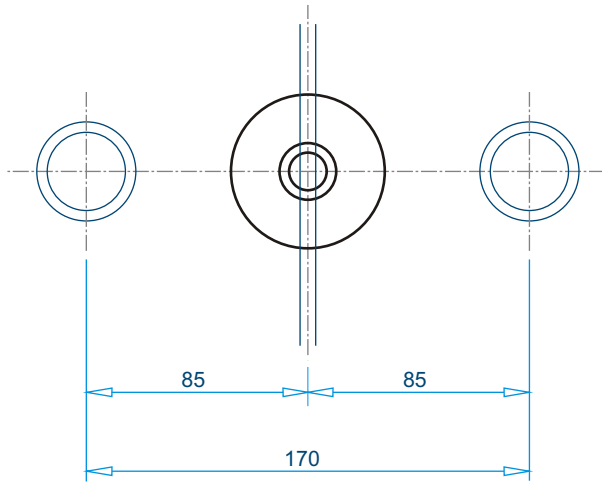


ALLEN 8

PA-2AL

Double Arm 180° ■
SS304 ■

Ord Nr. : M19921



Accessories to be ordered separately.

Accessories



Straight Pin SS Ø8X20
Ord Nr. M26383



Allen Bolt 12X40
Ord Nr. M15697

Tools



ALLEN 5

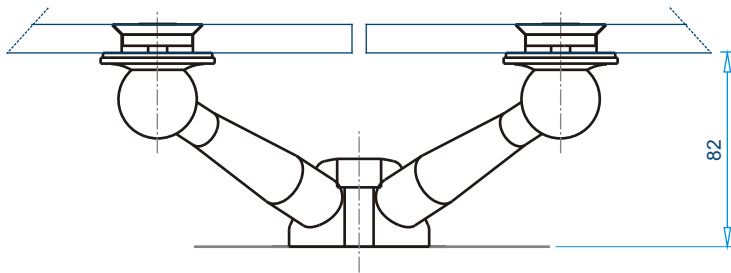
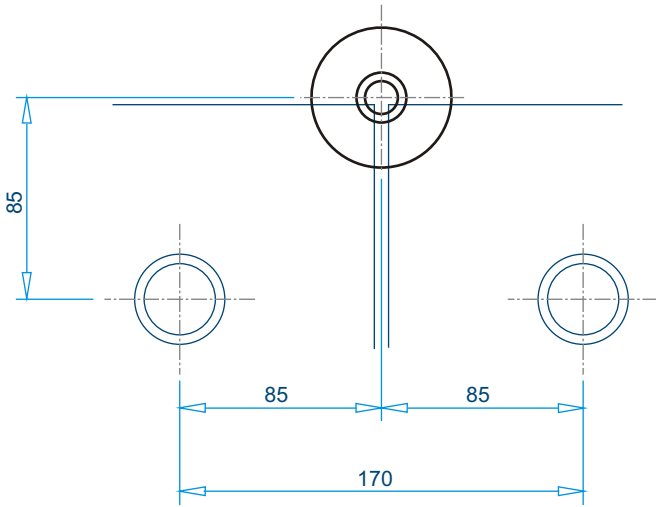


ALLEN 8

PA-2AV

Double Arm 90° ■
SS304 ■

Ord Nr. : M19923



Accessories to be ordered separately.

Accessories



Straight Pin SS Ø8X20
Ord Nr. M26383



Allen Bolt 12X40
Ord Nr. M15697

Tools



ALLEN 5

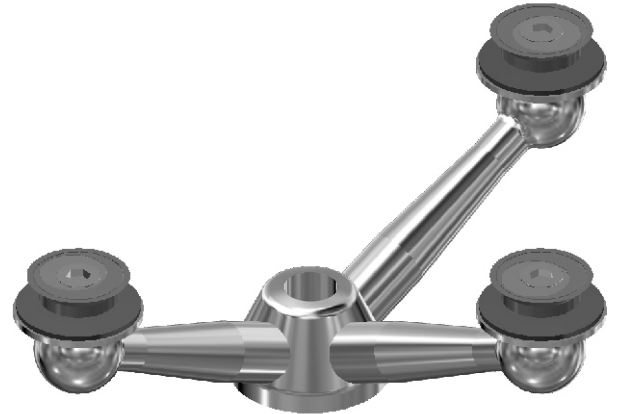
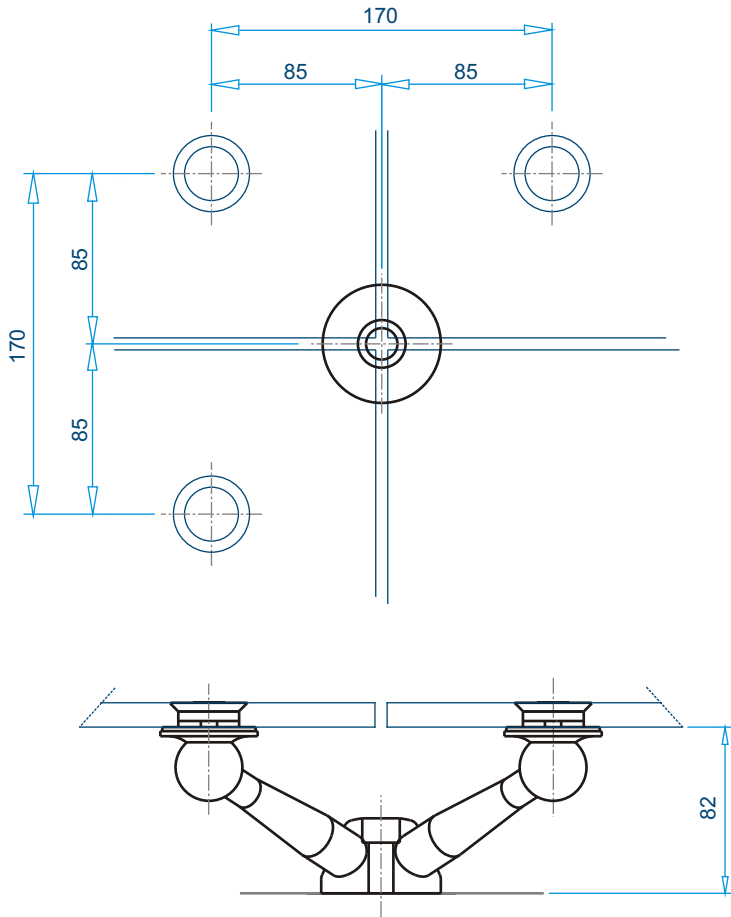


ALLEN 8

PA-3A

Three Arms ■
SS304 ■

Ord Nr. : M19989



Accessories to be ordered separately.

Accessories



Straight Pin SS Ø8X20
Ord Nr. M26383



Allen Bolt 12X40
Ord Nr. M15697

Tools



ALLEN 5

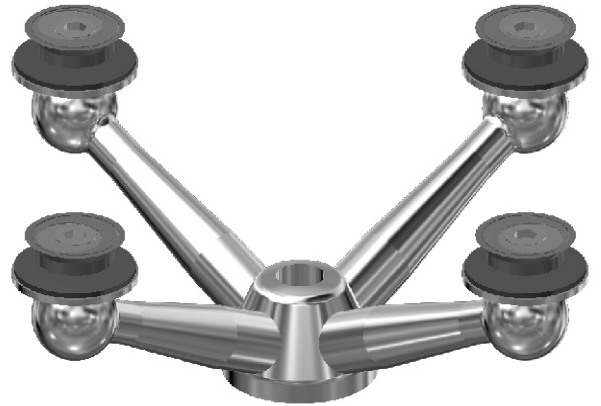
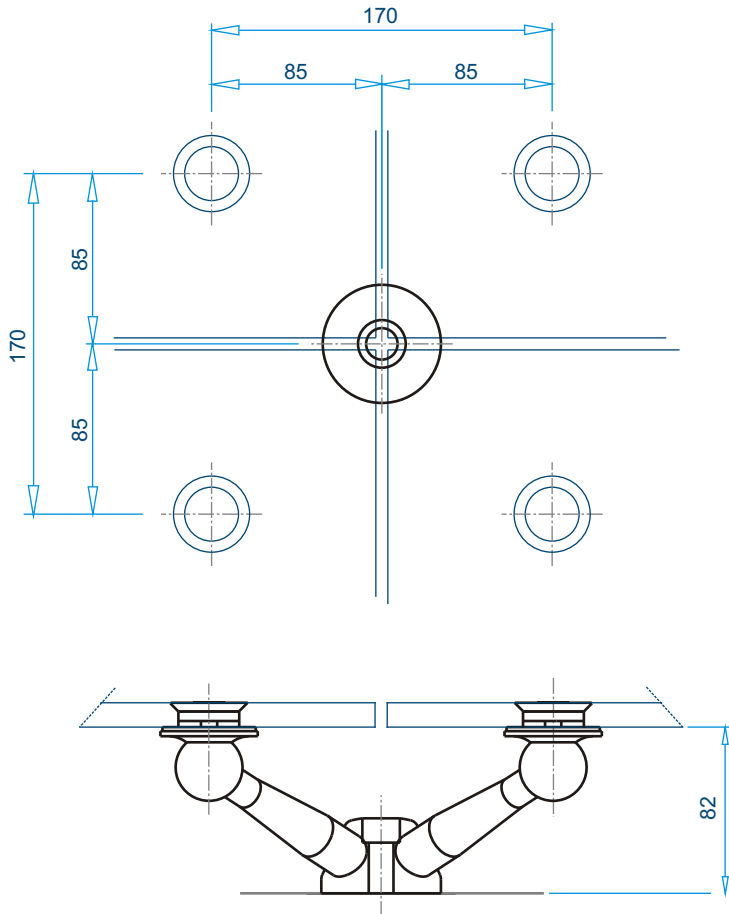


ALLEN 8

PA-4A

Four Arms ■
SS304 ■

Ord Nr. : M19924



Accessories to be ordered separately.

Accessories



Straight Pin SS Ø8X20
Ord Nr. M26383



Allen Bolt 12X40
Ord Nr. M15697

Tools



ALLEN 5

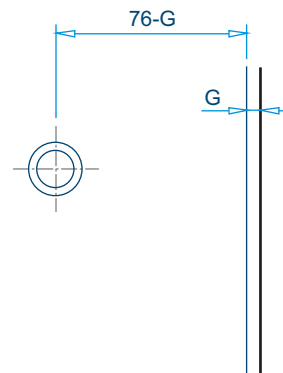
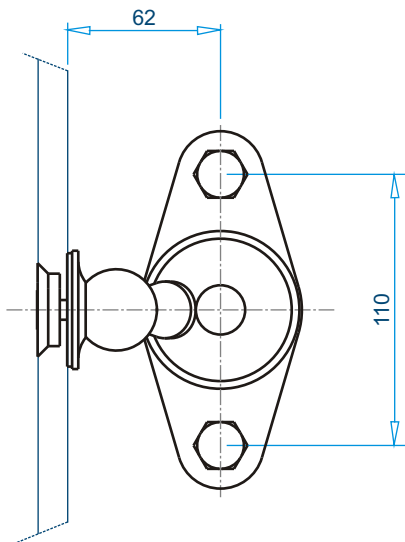
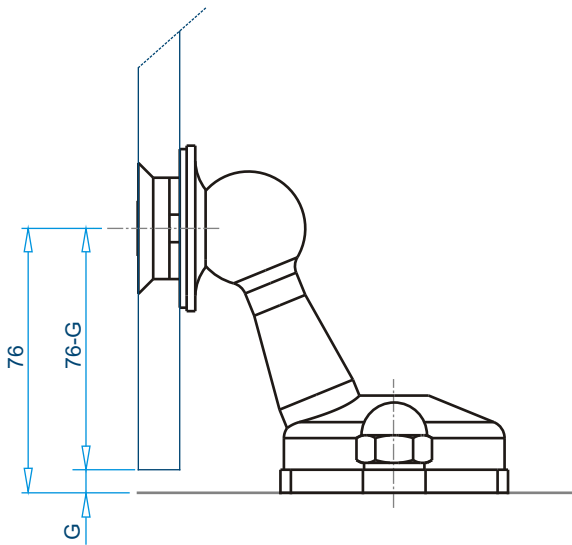


ALLEN 8

PAT-1A

Single arm Wall to Glass ■
SS304 ■

Ord Nr. : M19918



*G= Gap between Glass and Fin

Accessories to be ordered separately.

Accessories



Hex Bolt M12X30
Ord Nr. M10064



BF PA D64XT
Details on page 12



WF PA D64XT
Details on page 12



Packer PAT-1A
Details on page 13



Grouting Plate PAT-1A
Details on page 14



Welding Plate PAT-1A
Details on page 14

Tools



ALLEN 5

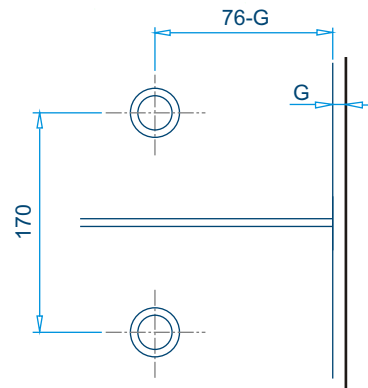
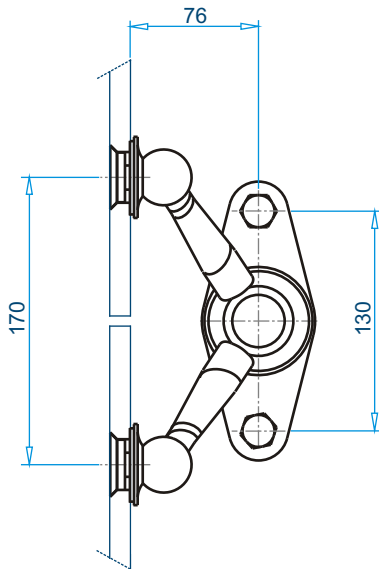
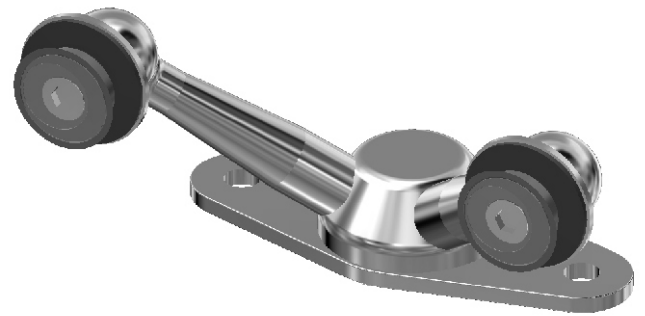
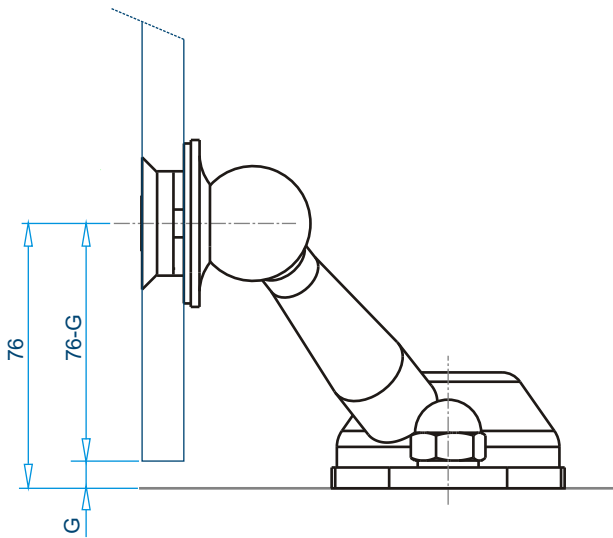


18X19

PAT-2A

Double arms Wall to Glass ■
SS304 ■

Ord Nr. : M19919



*G= Gap between Glass and Fin

Accessories to be ordered separately.

Accessories



Hex Bolt M12X30
Ord Nr. M10064



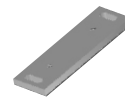
BR PA MP D64XT
Details on page 12



WR PA MP D64XT
Details on page 13



Packer PAT-2A
Details on page 13



Grouting Plate PAT-2A
Details on page 14



Welding Plate PAT-2A
Details on page 14

Tools



ALLEN 5

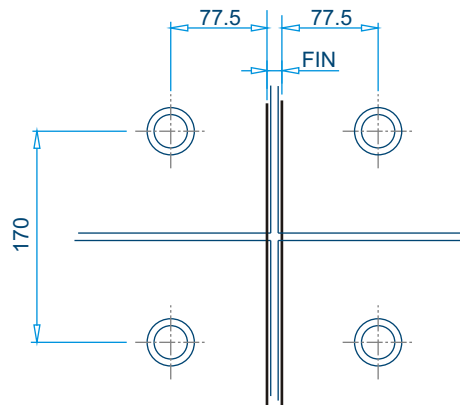
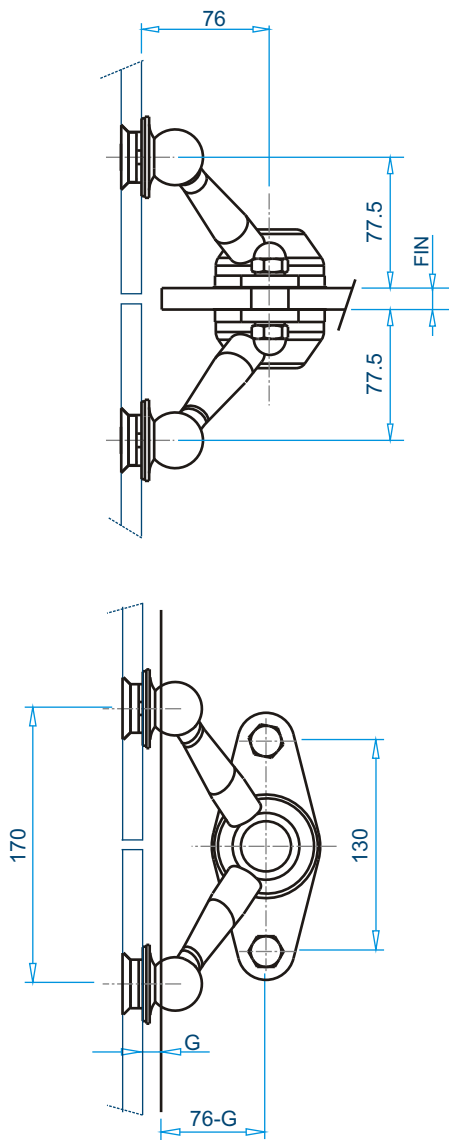


18X19

PAT-4A

Four arms Fin to Glass ■
SS304 ■

Ord Nr. : M19983



*G= Gap between Glass and Fin

Accessories

Tools



ALLEN 5

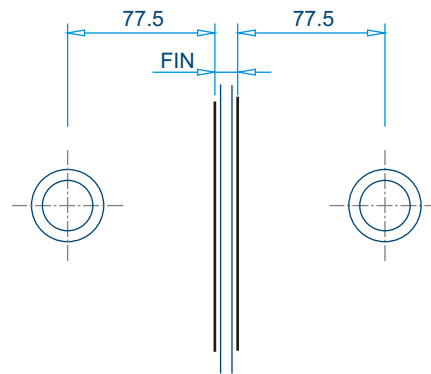
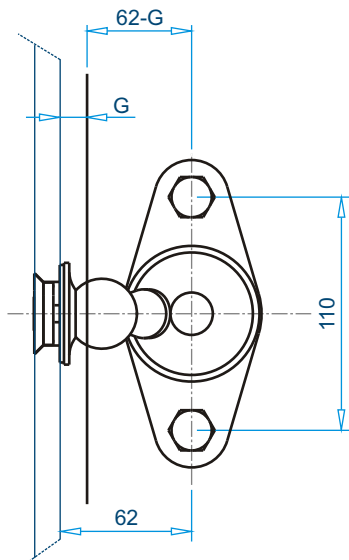
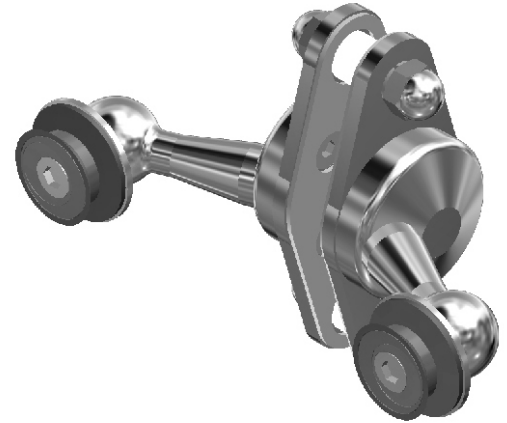
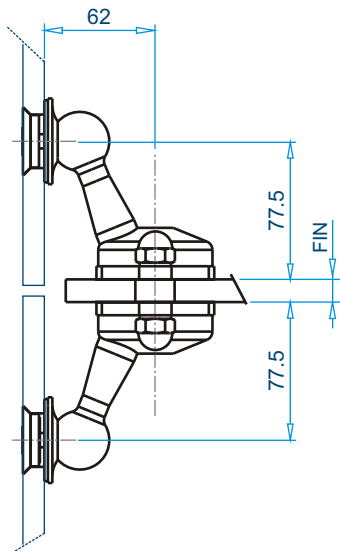


18X19

PAT-S2A

Two arms Fin to Glass ■
SS304 ■

Ord Nr. : M21238



*G= Gap between Glass and Fin

Accessories

Tools

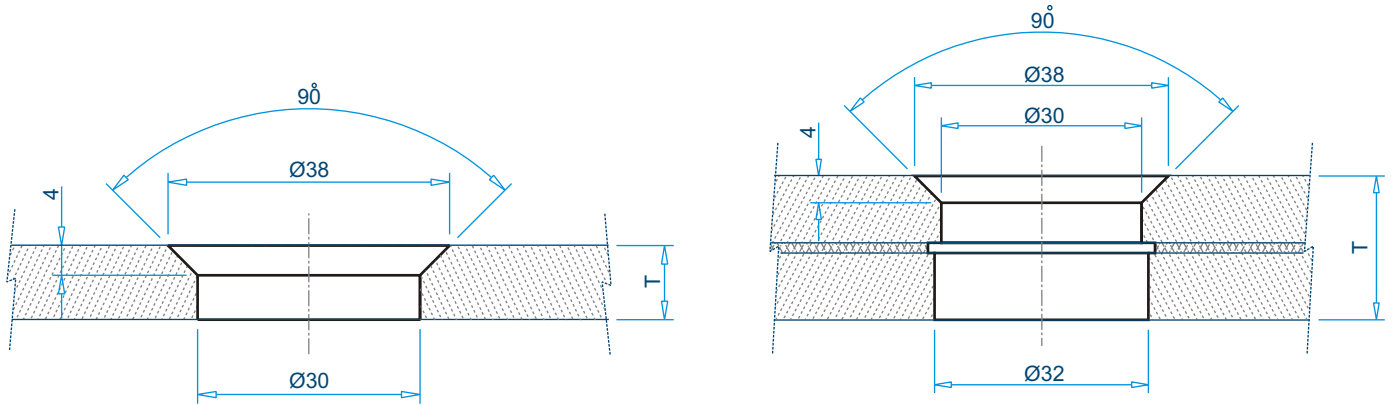


ALLEN 5



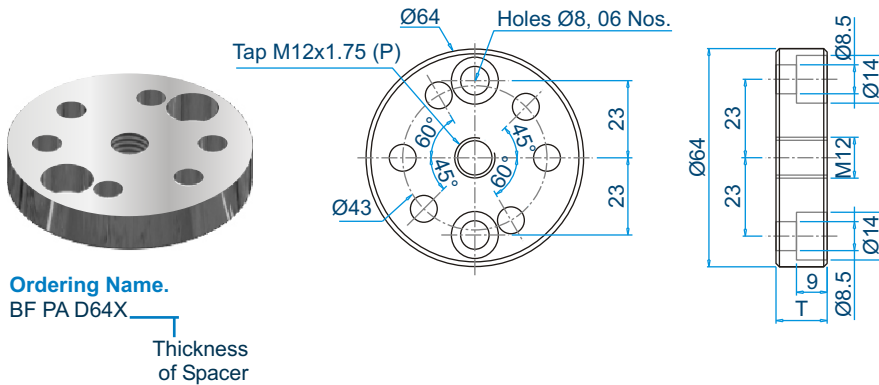
18X19

Details of Countersunk Holes on Glass



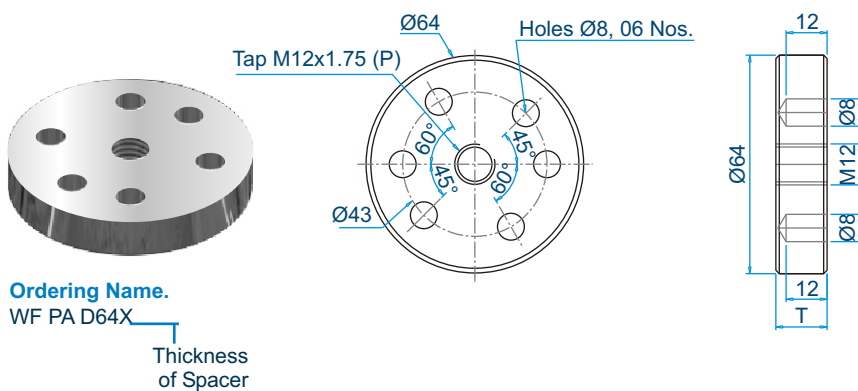
ACCESSORIES

(Optional, to be ordered separately)



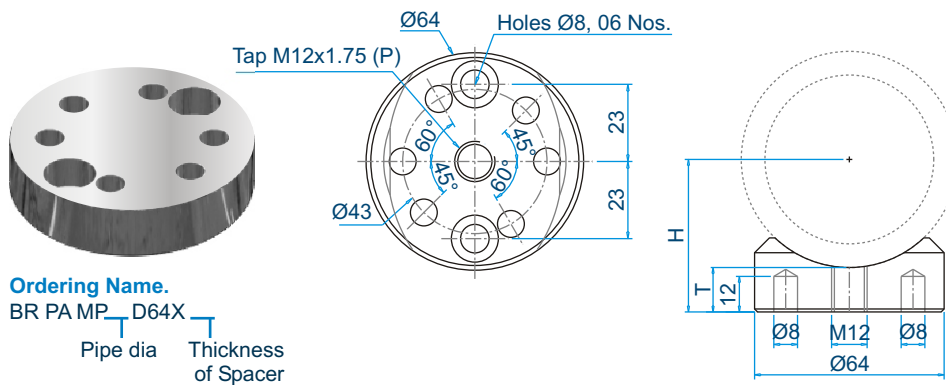
S.No.	Name	Thick (T) mm	Ord Nr.
1	BF PA D64X10	10	M50340
2	BF PA D64X12	12	M50341
3	BF PA D64X15	15	M50342
4	BF PA D64X20	20	M50343
5	Other on Request	--	-----

Usable in : PAT-1A



S.No.	Name	Thick (T) mm	Ord Nr.
1	WF PA D64X10	10	M50344
2	WF PA D64X12	12	M50345
3	WF PA D64X15	15	M50346
4	WF PA D64X20	20	M50347
5	Other on Request	--	-----

Usable in : PAT-1A

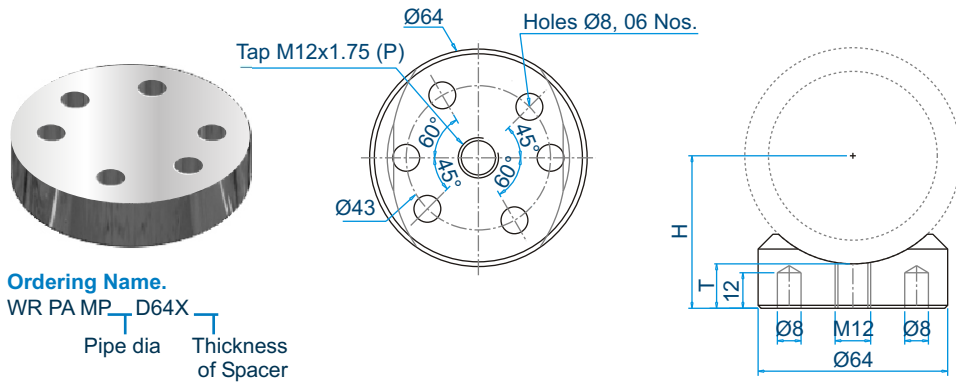


Usable in : PAT-2A

Pipe	Thickness (T)			
	10	12	15	20
73 Name	BR PA M73_D64X10	BR PA M73_D64X12	BR PA M73_D64X15	BR PA M73_D64X20
Ord Nr.	M50348	M50349	M50350	M50351
89 Name	BR PA M89_D64X10	BR PA M89_D64X12	BR PA M89_D64X15	BR PA M89_D64X20
Ord Nr.	M50352	M50353	M50354	M50355
102 Name	BR PA M102_D64X10	BR PA M102_D64X12	BR PA M102_D64X15	BR PA M102_D64X20
Ord Nr.	M50356	M50357	M50358	M50359
114 Name	BR PA M114_D64X10	BR PA M114_D64X12	BR PA M114_D64X15	BR PA M114_D64X20
Ord Nr.	M50360	M50361	M50362	M50363
152 Name	BR PA M152_D64X10	BR PA M152_D64X12	BR PA M152_D64X15	BR PA M152_D64X20
Ord Nr.	M50364	M50365	M50366	M50367

ACCESSORIES

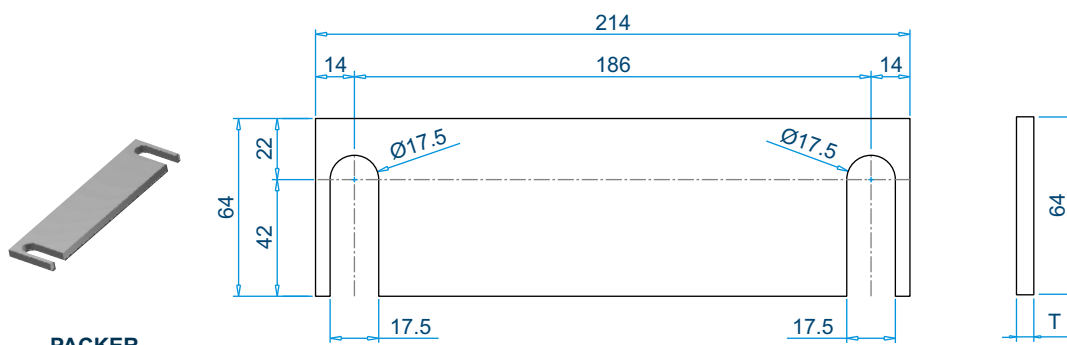
(Optional, to be ordered separately)



Ordering Name.
 WR PA MP_D64X
 Pipe dia Thickness of Spacer

Usable in : PAT-2A

Pipe	Thickness (T)			
	10	12	15	20
73 Name	WR PA M73_D64X10	WR PA M73_D64X12	WR PA M73_D64X15	WR PA M73_D64X20
Ord Nr.	M50368	M50369	M50370	M50371
89 Name	WR PA M89_D64X10	WR PA M89_D64X12	WR PA M89_D64X15	WR PA M89_D64X20
Ord Nr.	M50372	M50373	M50374	M50375
102 Name	WR PA M102_D64X10	WR PA M102_D64X12	WR PA M102_D64X15	WR PA M102_D64X20
Ord Nr.	M50376	M50377	M50378	M50379
114 Name	WR PA M114_D64X10	WR PA M114_D64X12	WR PA M114_D64X15	WR PA M114_D64X20
Ord Nr.	M50380	M50381	M50382	M50383
152 Name	WR PA M152_D64X10	WR PA M152_D64X12	WR PA M152_D64X15	WR PA M152_D64X20
Ord Nr.	M50384	M50385	M50386	M50387

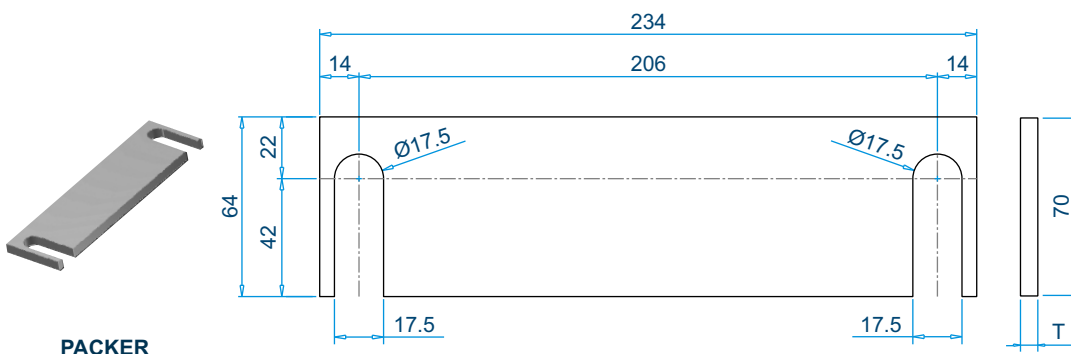


PACKER

Mat : MS Zinc Plated

S.No.	Name	Thick (T)	Ord Nr.
1	PAT-1A-PK-1	1	M50405
2	PAT-1A-PK-2	2	M50406
3	PAT-1A-PK-5	5	M50407

Usable in : PAT-1A



PACKER

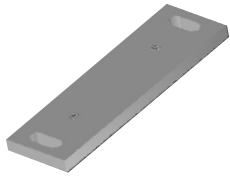
Mat : MS Zinc Plated

S.No.	Name	Thick (T)	Ord Nr.
1	PAT-2A-PK-1	1	M50408
2	PAT-2A-PK-2	2	M50409
3	PAT-2A-PK-5	5	M50410

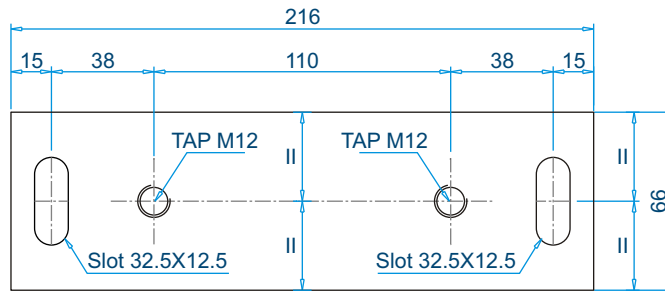
Usable in : PAT-2A

ACCESSORIES

(Optional, to be ordered separately)



GROUTING PLATE

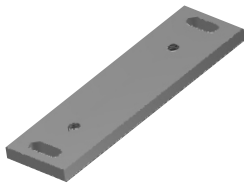


Mat : MS Zinc Plated

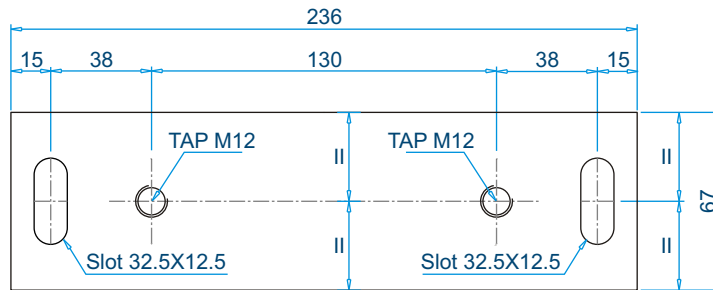
TAP M12



Ord Nr. M50389
Usable in : PAT-1A



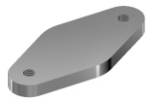
GROUTING PLATE



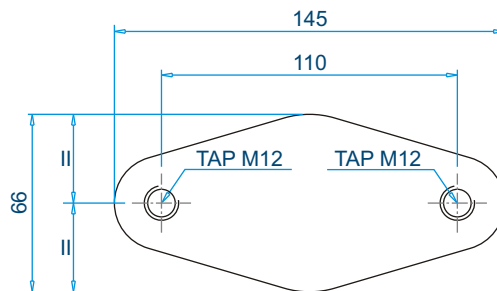
Mat : MS Zinc Plated



Ord Nr. M50388
Usable in : PAT-2A



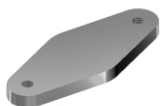
WELDING PLATE



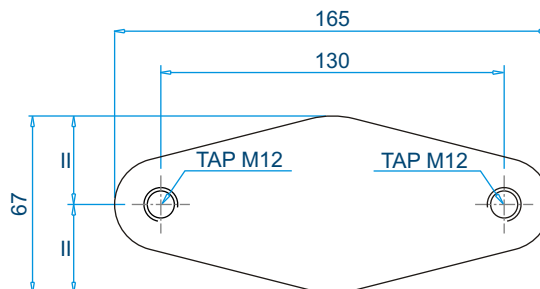
Mat : MS Zinc Plated



Ord Nr. M50391
Usable in : PAT-1A



WELDING PLATE



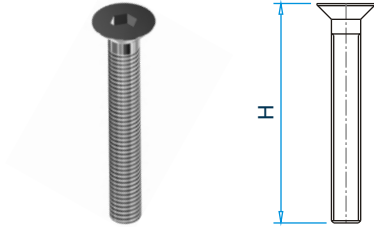
Mat : MS Zinc Plated



Ord Nr. M50390
Usable in : PAT-2A

SPARE PARTS

(Optional, to be ordered separately)



**CSK SS
ALLEN SCREW**

S.No.	Glass Thick (mm)	H	Screw	Ord Nr.
1	8 to 15 mm	30	M8X30	M50193
2	15 to 20 mm	30	M8X35	M50194
3	20 to 25 mm	40	M8X40	M50195



**NYLON WASHER
PLAIN Ø48X12.5**
BLACK : Ord Nr. M50207
WHITE : Ord Nr. M50243



CSK NYLON WASHER
BLACK : Ord Nr. M50235
WHITE : Ord Nr. M50245